

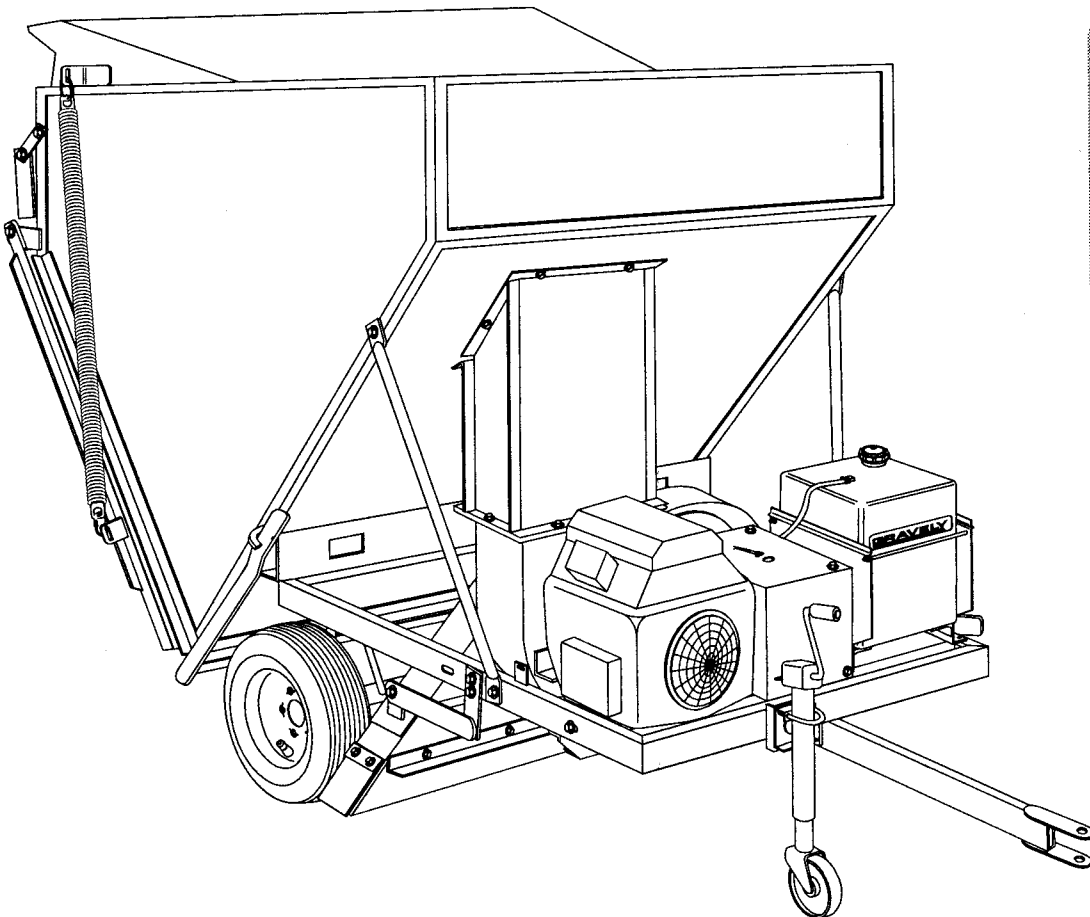
▲ SAFETY MESSAGE ▲

The product for which you have requested information or replacement parts is not a current product. The replacement models incorporate product designs, safety features, safety instructions or warnings which represent the latest "State Of The Art" developments. For your safety and those around you please contact your nearest Ariens/Gravely Dealer for a demonstration of the current product safety provisions and features.



Pro Vac 1050

Parts Manual



MODELS

001 - Pro Vac 1050

700 - Pro Vac 1050

A Message to Gravelly Parts Manual User

Your Gravelly Dealer will be happy to supply any service or advice which may be required to keep your Gravelly equipment operating at peak efficiency. The dealer stocks genuine Gravelly parts and lubricants, manufactured with the same precision and skill as the original equipment. A factory trained staff is informed on the best methods of servicing Gravelly equipment and is ready and able to serve you.

If engine repair or service is required, it can be obtained from a Gravelly Dealer or from an authorized engine manufacturer's service center. If service is required, be prepared to supply the service person with the Model Number and Serial Number of the equipment and engine, as well as a full description of the problem encountered.

Introduction

The information contained herein is intended for use by Gravelly Dealers' trained servicemen and serves as a supplement to and reminder of training sessions conducted by Gravelly Company. Before you attempt any repair, adjustment or maintenance project, be certain that you have read and fully understand the instructions in your Owner's and Repair Manuals. Understand and follow each Danger, Warning, Caution and all instructions exactly as given. Also be sure that you have all tools, replacement parts and other materials required to complete the project.

A network of Gravelly Dealers is maintained in order to assure you of an adequate supply of replacement parts and technical assistance. When replacement parts are required, use only genuine Gravelly parts. Failure to do so may result in product malfunction and possible injury to operator and/or bystander.

NOTE: The descriptions and specifications contained in this manual were in effect at the time the manual was approved for printing. Gravelly Company reserves the right to discontinue models without notice and without incurring obligation. The equipment described within this manual may not be identified as either standard or optional and the various illustrations may not all be applicable to your particular unit. If you have questions always check with your Gravelly Dealer.

NOTE: All references to "Left", "Right", "Front" and "Rear" are given from the operator standing in the position of the towing vehicle and facing the direction of forward travel.

NOTE TO GRAVELLY DEALERS: Refer to your current Parts Price List for suggested parts stocking. Service training for dealers is available at the Gravelly Service School.

How to Order Replacement Parts

This Parts Manual is arranged for easy identification of genuine Gravelly Service parts that are illustrated showing their relationship to one another. Item numbers in the illustrations correspond to item numbers in the first column of the parts list and are followed by the Gravelly Part Number, Description and Quantity with variations between models and/or serial numbers designated in the part description. S/N 000000> means this serial number and up, with S/N <000000 meaning up to this serial number.

Order parts from your nearest authorized Gravelly Dealer. For prompt service when ordering parts, provide the following information.

1. **MODEL AND SERIAL NUMBERS OF EQUIPMENT**
2. **PART NUMBER (not Item Number)**
3. **DESCRIPTION**
4. **QUANTITY REQUIRED**

Contents

Model

Decals2
Battery and Fuel4
Engine and Drive6
Frame and Wheels8
Hopper.....10
Scoop12

Model 992001
18 HP Pro Vac
Serial Number 000101 and up

Model 992700
18 HP Pro Vac
Serial Number 000101 and up

This manual covers the model listed. Specific Model and Serial Numbers of your unit and attachment are on a label on the unit. Record these numbers in the space provided and use them whenever parts or service are required.

Model Number - Pro Vac _____
Serial Number - Pro Vac _____
Model Number - Engine _____
Serial Number - Engine _____

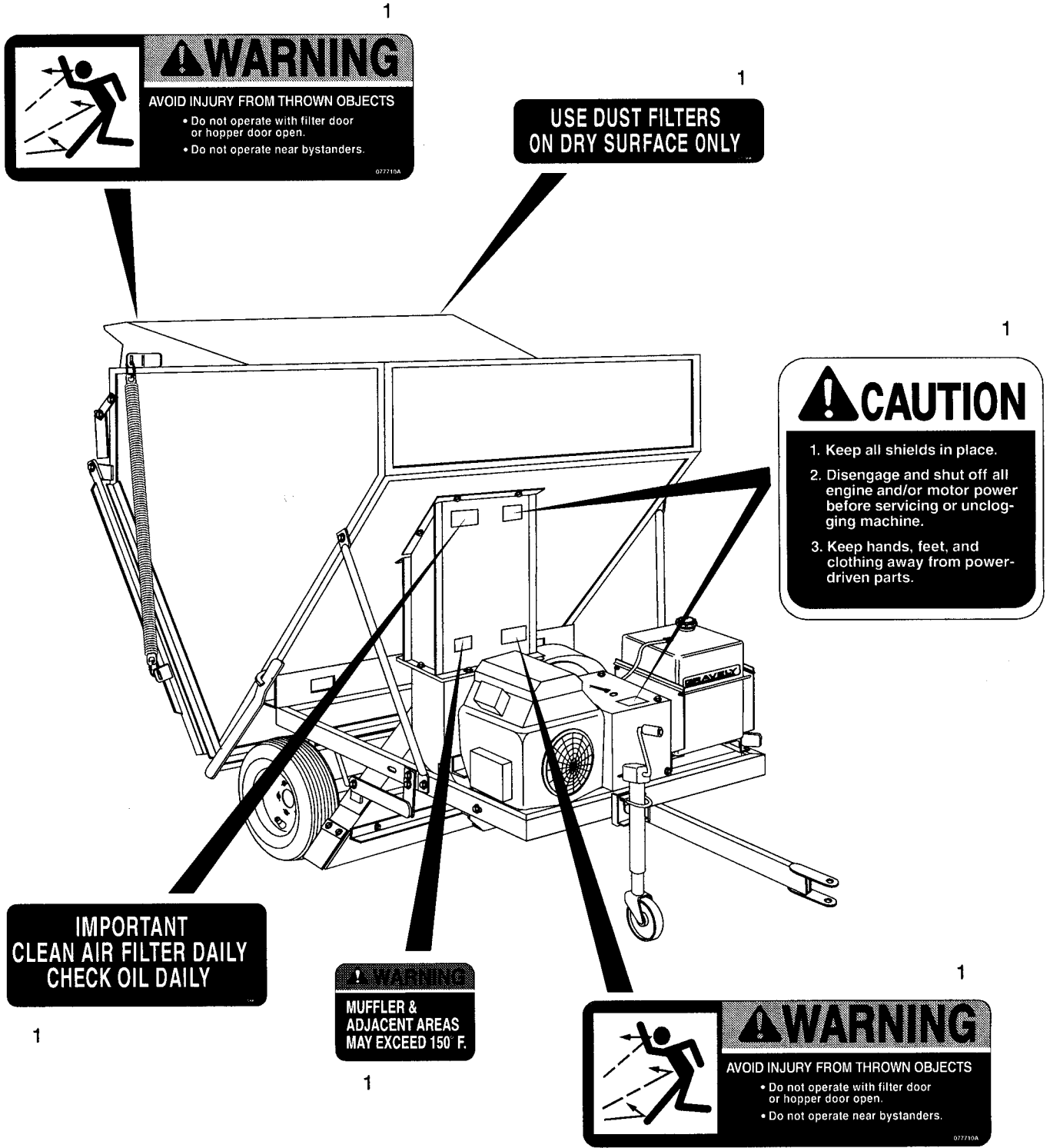
Reference Table

Hardware descriptions are given in decimals.

Decimals to Fractions			
.063	1/16	.563	9/16
.125	1/8	.625	5/8
.188	3/16	.688	11/16
.250	1/4	.750	3/4
.313	5/16	.813	13/16
.375	3/8	.875	7/8
.438	7/16	.938	15/16
.500	1/2	1.00	1

Decals

Models 992001,700



1

! WARNING

AVOID INJURY FROM THROWN OBJECTS

- Do not operate with filter door or hopper door open.
- Do not operate near bystanders.

077710A

1

USE DUST FILTERS ON DRY SURFACE ONLY

1

! CAUTION

1. Keep all shields in place.
2. Disengage and shut off all engine and/or motor power before servicing or unclogging machine.
3. Keep hands, feet, and clothing away from power-driven parts.

1

**IMPORTANT
CLEAN AIR FILTER DAILY
CHECK OIL DAILY**

! WARNING

MUFFLER & ADJACENT AREAS MAY EXCEED 150 F.

1

1

! WARNING

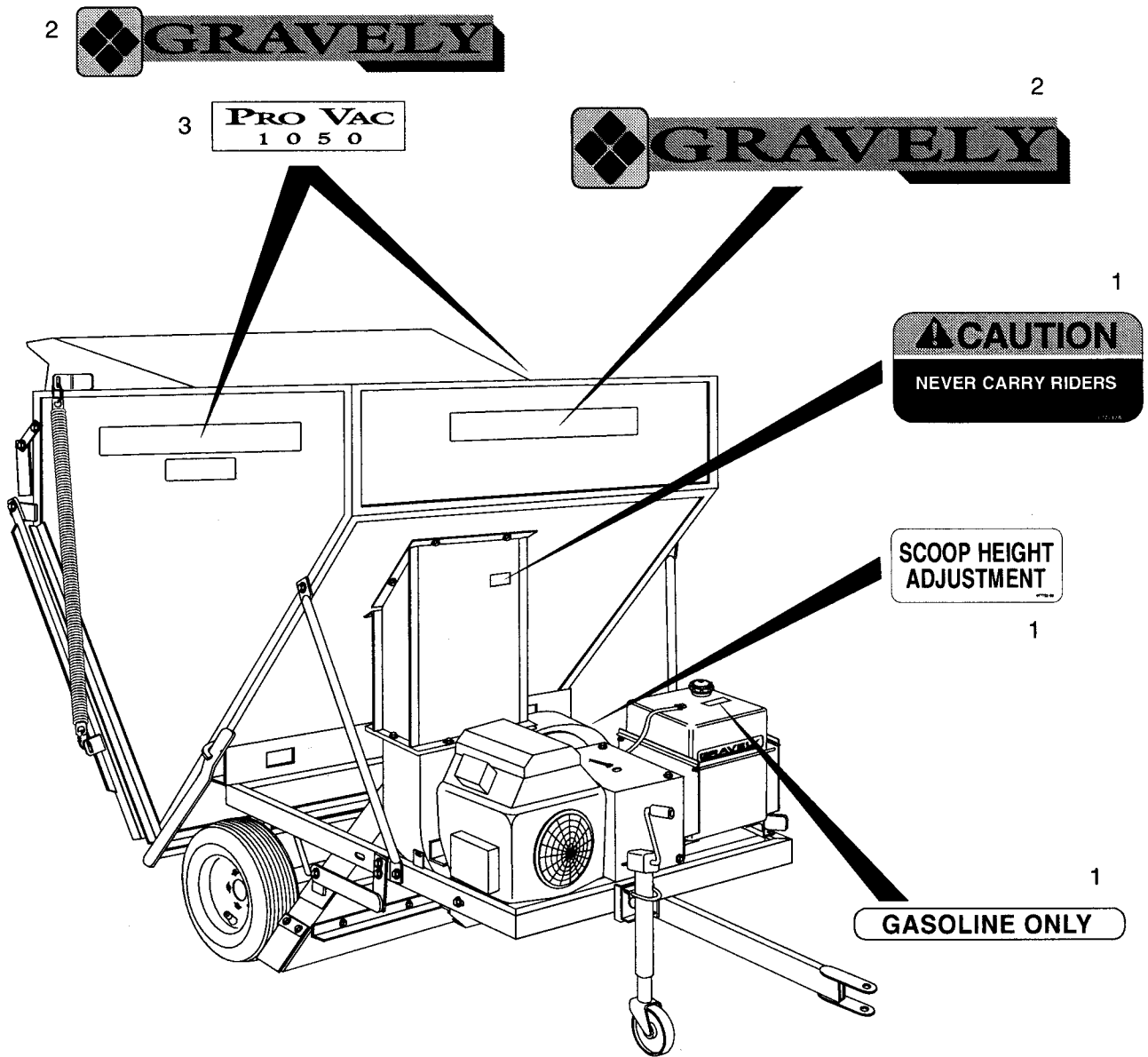
AVOID INJURY FROM THROWN OBJECTS

- Do not operate with filter door or hopper door open.
- Do not operate near bystanders.

077710A

Decals

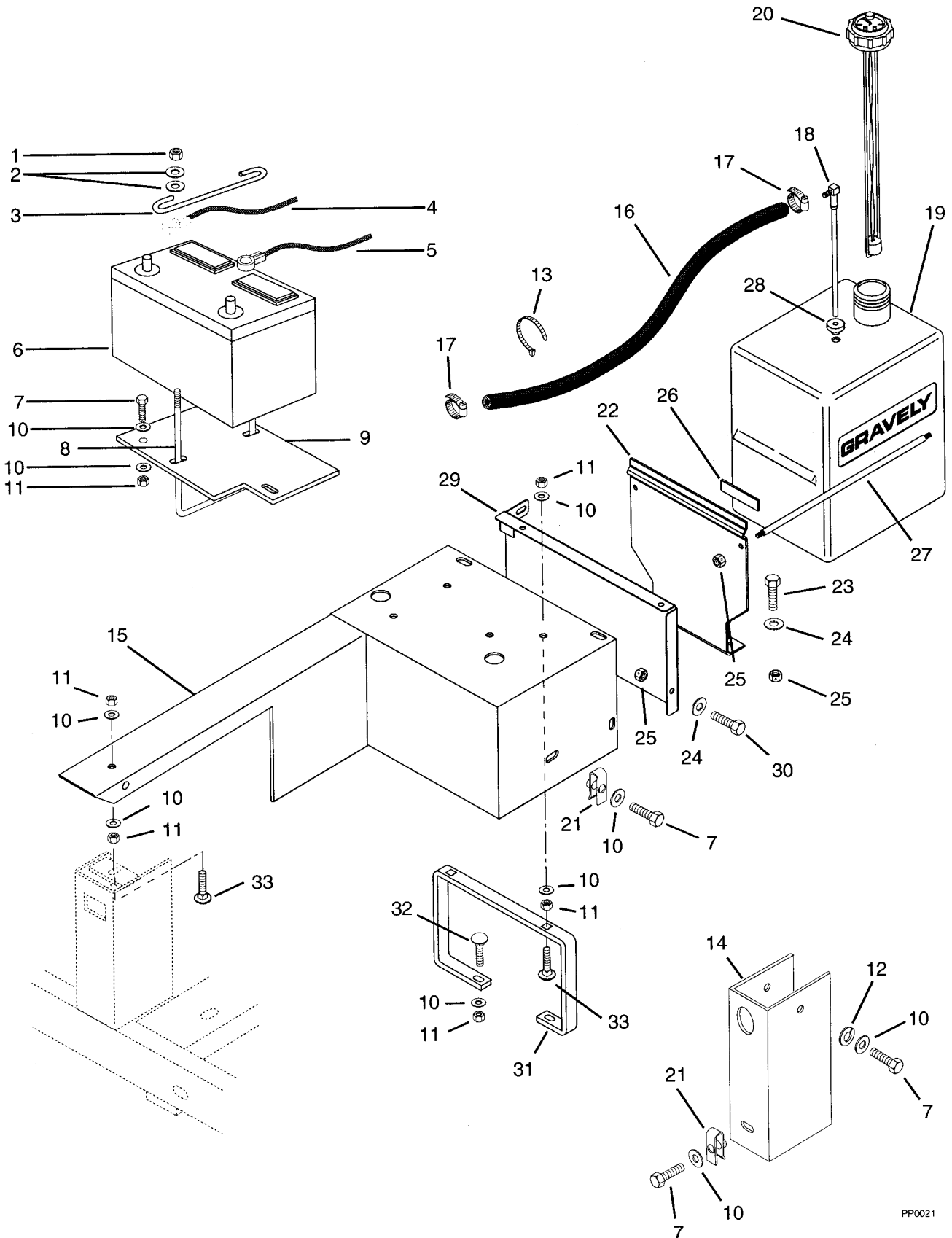
Models 992001,700



ITEM NO.	PART NO.	DESCRIPTION	QTY
1	62400100	Decal Set Turf-Vac	1
2	05351800	Decal-GRAVELY Name/Logo Set (2 Small, 1 Large)	1
3	05352600	Decal-Model Designation 1050 Vac	1

Battery and Fuel

Model 992001,700



PP0021

Battery and Fuel

Model 992001,700

ITEM NO.	PART NO.	DESCRIPTION	QTY
1	06529700	Nut-Lk-Ctr .25-20	2
2	06435800	Wshr-FI-Stl .312 x .734 x .065	4
3	051098	Rod, Hold Down	1
4	04202100	Battery Cable	1
5	04202000	Ground Cable	1
6	04202200	Battery	1
7	05948700	Blt-Hex .38-16 x 1.00 Gr 5 (A)	5
	05948700	Blt-Hex .38-16 x 1.00 Gr 5 (B)	1
8	050781	Rod Battery	1
9	04205251	Mounting Plate	1
10	06435900	Wshr-FI-Stl .438 x 1.00 x .083 (A)	7
	06435900	Wshr-FI-Stl .438 x 1.00 x .083 (B)	11
11	06529600	Nut-Lk-Ctr .38-16 (A)	2
		Nut-Lk-Ctr .38-16 (B)	10
12	06308800	Wshr-Lock .38 x .094 (A)	2
13	04003800	Tie Wrap	1
14	04201751	Hour-Meter Mount (A)	1
15	09270700	Guard-Belt Weldment	1
16	021134	Gas Line-Bulk 1/4" ID	60"
17	032045	Hose Clamp	2
18	047614	Fitting, Tank	1
19	047612	Tank, Fuel	1
20	047615	Gauge, Fuel	1
21	06518600	Nut-Cage .375-16 (A)	2
22	09270300	Tank Bracket	2
23	05946900	Blt-Hex .31-18 x 1.00 Gr 5	4
24	06435700	Wshr-FI-Stl .38 x .875 x .083	7
25	06529800	Nut-Lk-Ctr .31-18	11
26	00915900	Gasket	7"
27	09037800	Rod, Tank	2
28	050246	Bushing	1
29	09270200	End Plate Weldment (A)	1
	09270900	Plate-Belt Guard End (B)	1
30	05947000	Blt-Hex .31-18 x .75 Gr 5	3
31	09270800	Stand-Belt Guard (B)	1
32	06215500	Bolt-Round Head Square Neck .38-16 x 1.00 Gr 2	2
33	06221400	Bolt-Round Head Square Neck .38-16 x 1.25 Gr 2	3

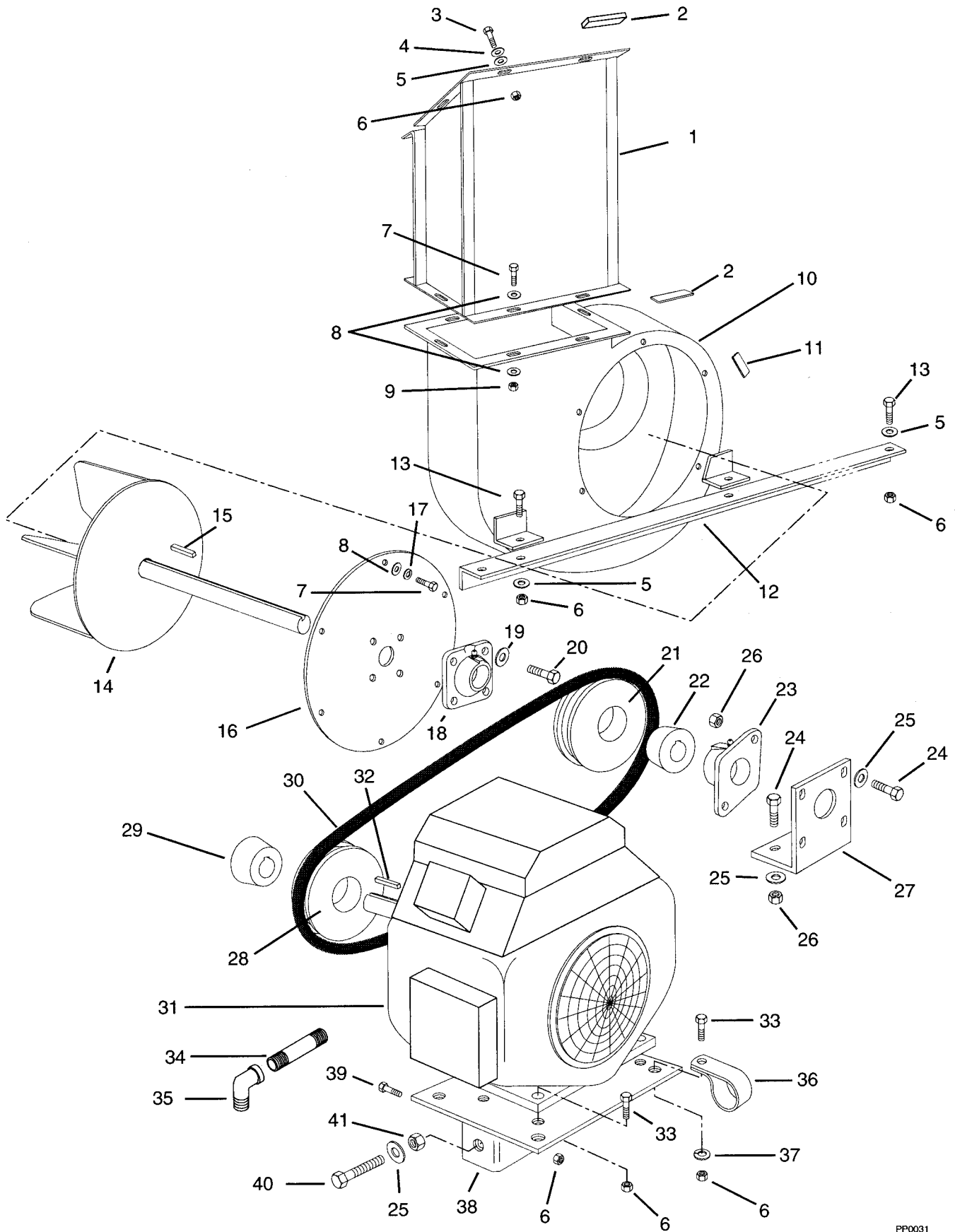
NOTE: For 992700

A = Before Serial Number 000172

B = Serial Number 000172 and later

Engine and Drive

Model 992001,700



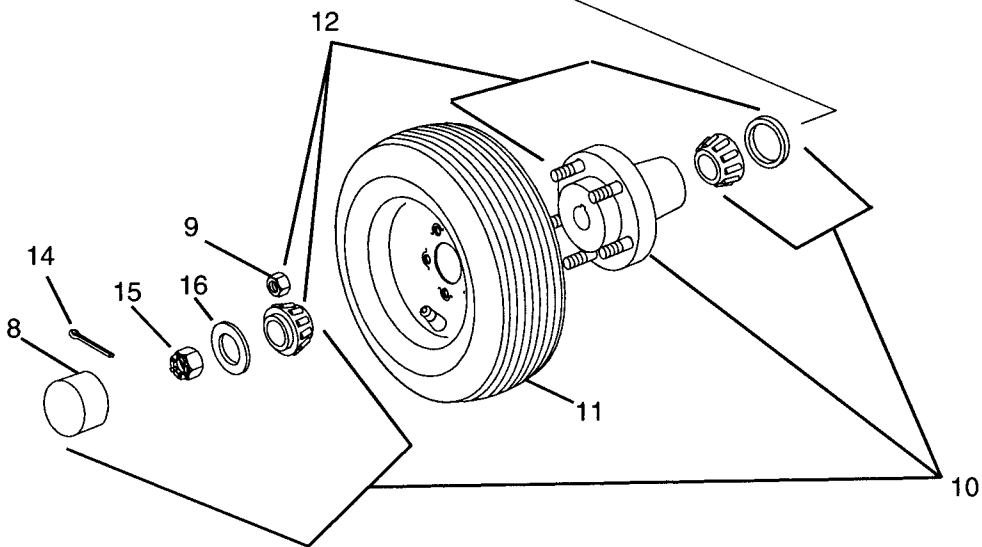
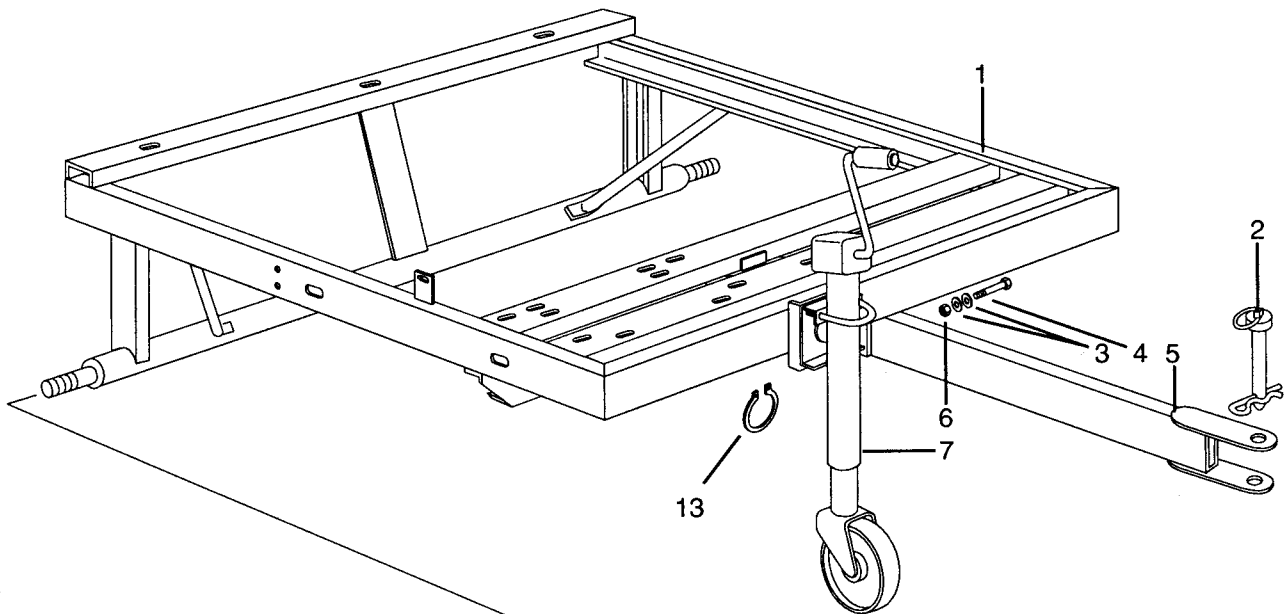
Engine and Drive

Model 992001,700

ITEM NO.	PART NO.	DESCRIPTION	QTY
1	04203653	Discharge Chute Weldment	1
2	00915900	Gasket	222"
3	05959400	Blt-Hex .38-16 x .75 Gr 5	6
4	06436400	Wshr-FI-Stl .511 x 1.441 x .125	6
5	06435900	Nut-Lk Top .375-16 Gr C PI	14
6	06529600	Nut-Lk-Ctr .38-16	24
7	05947000	Blt-Hex .31-18 x .75 Gr 5	12
8	06435700	Wshr-FI-Stl .38 x .875 x .083	18
9	06529800	Nut-Lk-Ctr .31-18	6
10	04200653	Blower Weldment	1
11	00916400	Gasket	66"
12	04202653	Blower Support Beam	2
13	05948700	Blt-Hex .38-16 x 1.00 Gr 5	8
14	04200700	Fan	1
15	06605600	Key Str .38 x 2.0 x .38	1
16	04200553	Fan Cover Weldment	1
17	06308600	Wshr-Lock .31 x .078	6
18	05418600	Bearing	1
19	06309300	Wshr-Lk .31 x .078	4
20	05963800	Blt-Hex .44-14 x 1.25 Gr 5	4
21	07315300	Pulley - V 2G 3V 6.5 Taper Lock	1
22	04201900	Driven Sheave Bushing	1
23	05418500	Bearing 2 Bolt	1
24	05962000	Blt-Hex .50-13 x 1.50 Gr 5	6
25	06442000	Wshr-FI-Stl .563 x 1.38 x .109	7
26	06504600	Nut-Lk-Ctr .50-13	4
27	04202451	Bearing Holder	1
28	07315400	Pulley - V 2G 3V 5.5 Taper Lock	1
29	04201800	Drive Sheave Bushing	1
30	07218300	V-Belt Matched Set of Two	1
31	08242800	Engine-18 HP Kohler Command	1
32	06603400	Key-Sq .25 x 1.25 x .25 SAE	1
33	05957800	Blt-Hex .38 - 16 x 3.00 Gr 5	8
34	03475800	Nipple	1
35	07023500	Elbow .375-18	1
36	06909400	P-Clamp	1
37	06435900	Wshr-FI-Stl .438 x 1.00 x .083	4
38	09270000	Engine Base Weldment	1
39	05958000	Blt-Hex .38-16 x 1.25 Gr 5	2
40	05962200	Blt-Hex .50-13 x 5.00 Gr 5	1
41	06537300	Nut-Hex .50 - 13	1

Frame and Wheels

Model 992001,700



Frame and Wheels

Model 992001,700

ITEM NO.	PART NO.	DESCRIPTION	QTY
1	59270000	Package-Trailer Replacement (A)	
	09270600	Frame-Trailer Weldment (B)	1
2	09200100	Hitch Pin 1 Inch	1
3	06442900	Wshr-FI-Stl .688 x 1.75 x .134	4
4	04963900	Blt-Hex .62 - 11 x 3.00 PI Gr 5	2
5	04200251	Tongue Weldment	1
6	06535300	Nut-Lk-Ctr .62-11	2
7	04201300	Jack	1
8	04207700	Dust Cap	2
9	59200200	Kit, Wheel Nut	2
10	59200100	Kit,Hub Complete 1050 Vac (Contains items 8,12,14-16)	AR
11	07136200	Tire & Wheel Assembly	2
12	04201400	Hub Assembly	2
13	05717900	Ring-Retaining-External 2.500 x .078	1
14	06712600	Pin-Cotter .12 x 1.25	2
15	06519000	Nut-Slotted 1.0-14	2
16	06427900	Washer-Flat-Steel 2.0 x 1.12 x .148	2

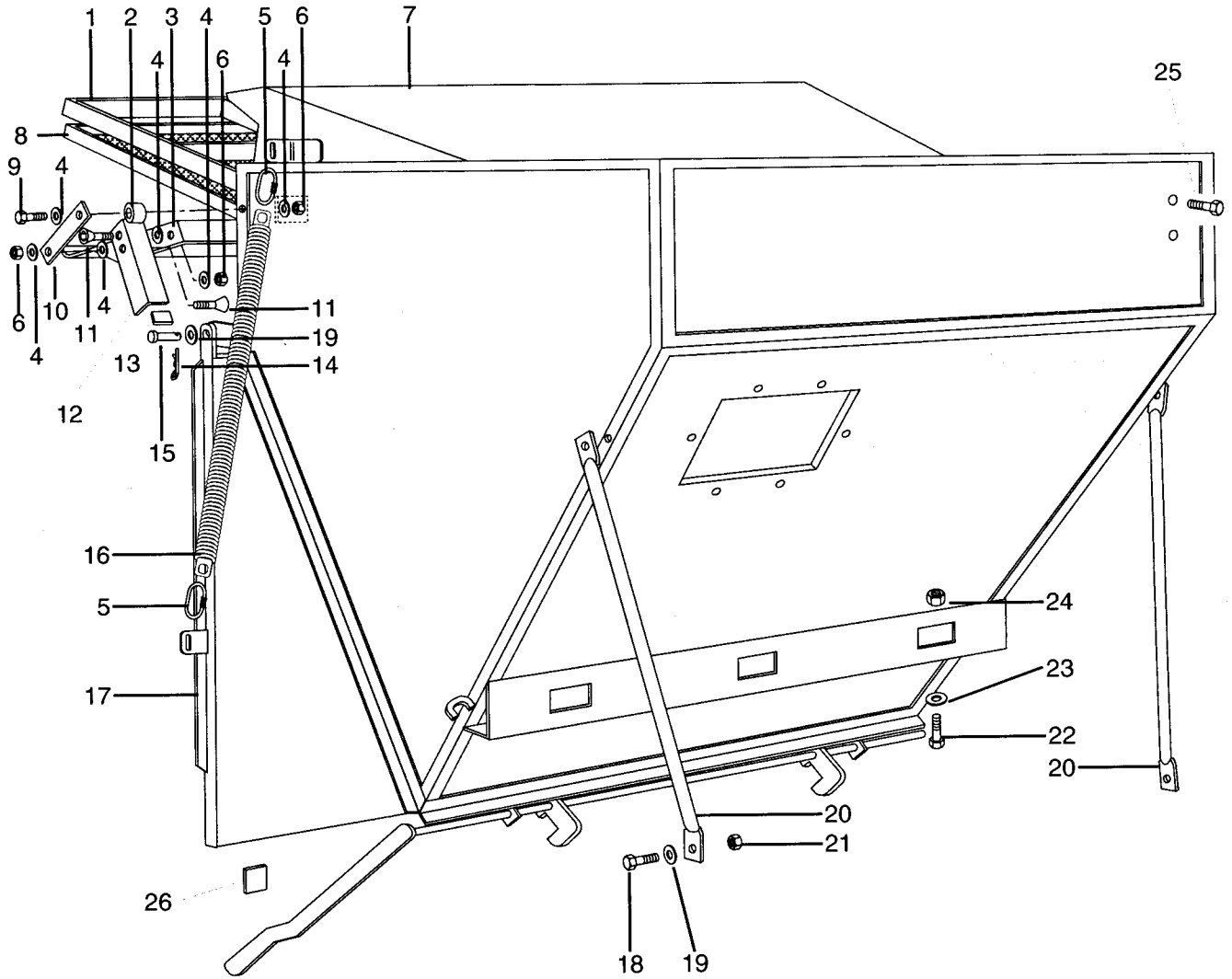
NOTE: For 992700

A = Before Serial Number 000172

B = Serial Number 000172 and later

Hopper

Model 992001,700



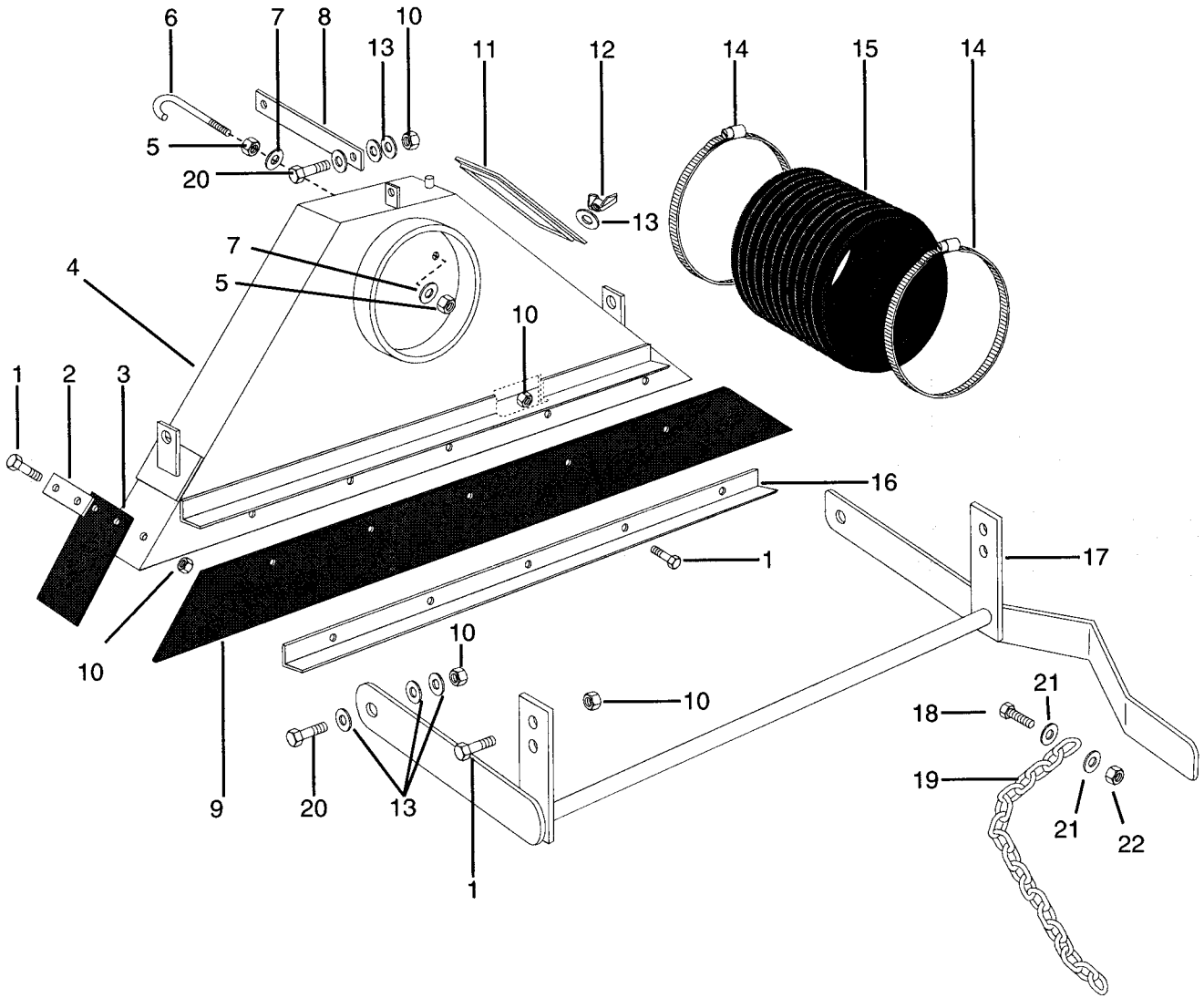
Hopper

Model 992001,700

ITEM NO.	PART NO.	DESCRIPTION	QTY
1	04204551	Grid Weldment	1
2	04204600	Screen Door Link Spacer	2
3	04205553	Screen Door Weldment	1
4	06435700	Wshr-FI-Stl .38 x .875 x .083	10
5	04204200	1/4 Quick Link	4
6	06529800	Nut-Lk-Ctr .31-18	6
7	04203053	Hopper Weldment	1
8	04204400	Single Screen	1
9	05952400	Blt-Hex .31-18 x 1.50 Gr 5	2
10	04204951	Filter Door Linkage	2
11	06117100	Screw-Machine .31-18 x 1.00	4
12	04204751	Filter Door Latch RH	1
	04204851	Filter Door Latch LH	1
13	00915900	Gasket	121"
14	06707300	Pin-Cotr .12 x .75	2
15	01330300	Clevis Pin	2
16	04204100	Spring	2
17	04203153	Door Weldment	1
18	05948700	Blt-Hex .38-16 x 1.00 Gr 5	4
19	06435900	Wshr-FI-Stl .438 x 1.00 x .083	6
20	04203853	Hopper Brace	2
21	06529600	Nut-Lk-Ctr .38-16	4
22	05958900	Blt-Hex .50-13 x 1.25 Gr 5	3
23	06442000	Wshr-FI-Stl .563 x 1.38 x .109	3
24	06536300	Nut-Lk-Ctr .50-13	3
25	05947200	Blt-Hex .32-18 x .50 Gr 5	2
26	00916400	Gasket	132"

Scoop

Model 992001,700



Scoop

Model 992001,700

ITEM NO.	PART NO.	DESCRIPTION	QTY
1	05958700	Blt-Hex .38-16 x 1.00 Gr 5	18
2	04203751	End Bolting Strip	2
3	04205600	Flex Skirt Endcap	2
4	04200853	Scoop Weldment	1
5	06537300	Nut-Hex .50-13	2
6	04205800	J-Bolt	1
7	06442000	Wshr-FI-Stl .563 x 1.38 x .109	2
8	04203351	Scoop Stabilizer Brace	1
9	04203500	Flex Skirt Front	1
	04205700	Flex Skirt Rear	1
10	06529600	Nut-Lk-Ctr .38 - 16	22
11	04200953	Scoop Side Cover	1
12	040028	Nut-Wing .375-16 Pl	1
13	06435900	Wshr-FI-Stl .438 x 1.00 x .083	12
14	04202800	Clamp	2
15	04202900	Flex Hose	1
16	04201051	Retainer Strip	2
17	04201251	Scoop Lift Weldment	1
18	04204200	Bolt-Hex .44-14 x 1.25 Grade 5	1
19	04205000	10 Link 1/4 Chain	1
20	05958000	Blt-Hex .38-16 x 1.25 Gr 5	4
21	06441000	Washer-Flat-Steel .50 x 1.25 x .083	2
22	06536400	Nut-Locking-Center .44-14	1